

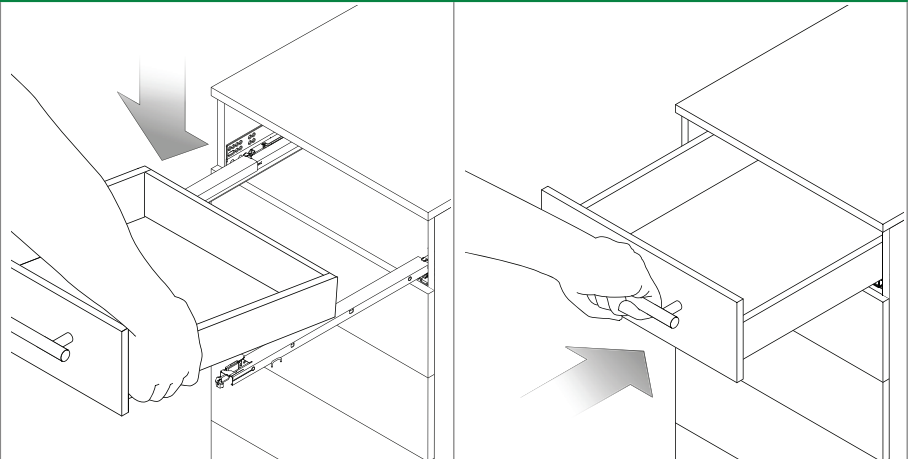
# DYNAMOOV

## Technical information

### INSTALLATION INFORMATION

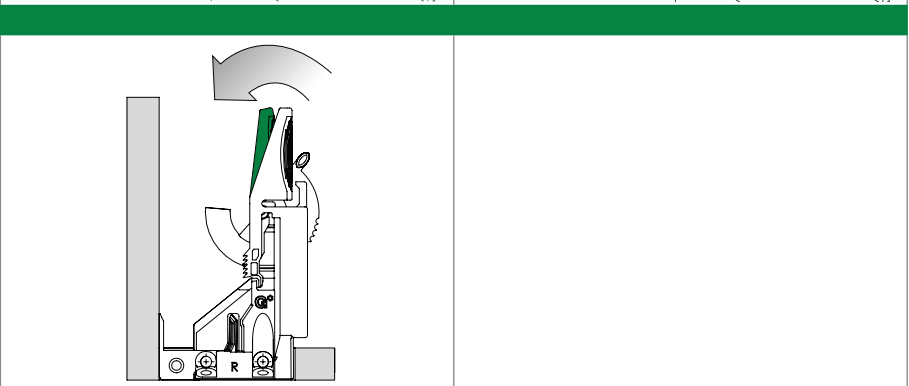
#### Inserting the drawer

Drawer on extended Dynamoov slides and push in until it audibly engages.



#### Removing the drawer

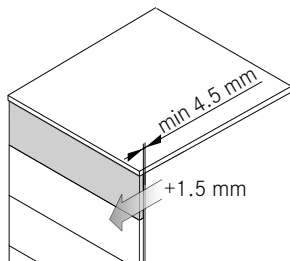
Pull out the drawer, actuate the lever of the front locking device on both sides and pull the drawer off the slide towards the front.



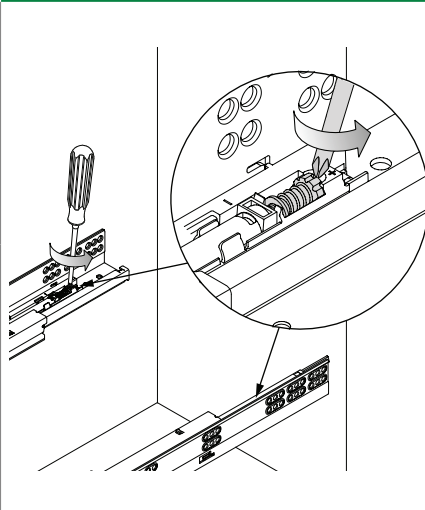
### DYNAMOOV TIPMATIC

#### Front gap adjustment (max. +1.5 mm)

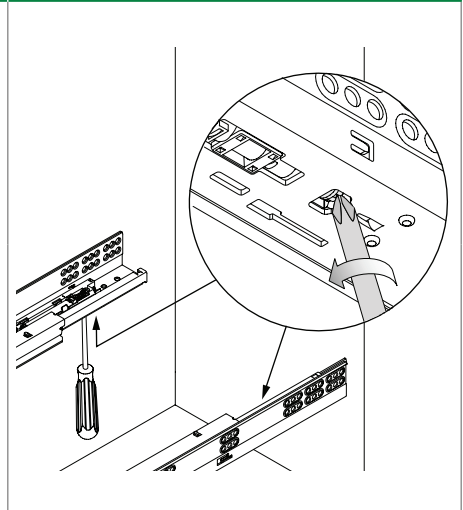
Reliable opening and closing of the drawer depends on the front gap adjustment (min. 4.5 mm = factory setting). If the front height is greater than 300 mm the front gap must be increased to the maximum 6 mm.



#### Front gap adjustment from above



#### Front gap adjustment from below



### NOTES

Fixing the cabinet rails:

The screw recommendations are guide values only.

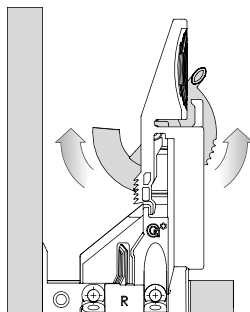
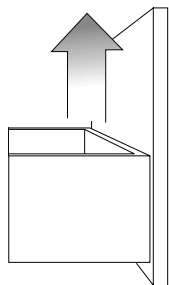
Assemblers must ensure that the substrate material is thick enough.

### PAGE REFERENCES

Dynamoov Soft-close	50	Dynamoov Tipmatic	54	Assembly aids	60
Dynamoov Self-close	52	Pull-out shelf	56	Packaging code	75

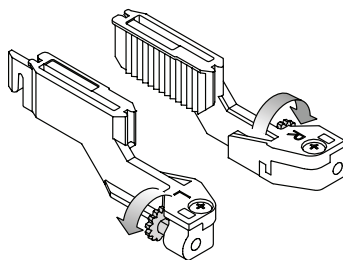
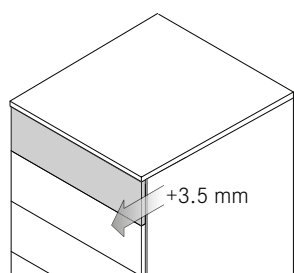
## ADJUSTMENT

### Height adjustment (max. +3.5 mm)



### Depth adjustment (max. +3.5 mm)

Can be used for Dynamoov Soft-close/Self-close.



## LEGEND

