

DYNAMOOV SOFT-CLOSE

Full extension slide 30 kg

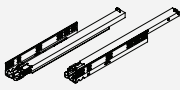


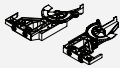
- Excellent running characteristics
- Fully synchronised slide technology
- Soft-close damping system
- Stepless self-locking of the drawer when placed on the slide
- Integrated height adjustment, tool-free +3.5 mm
- Optional depth adjustment +3.5 mm

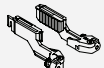
Packaging unit (PU):

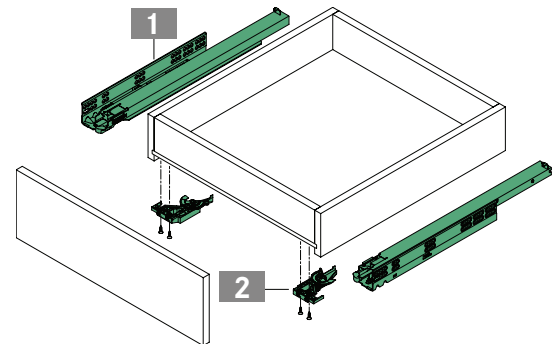
- 204 = 5 units in a cardboard box
- 208 = 12 units in a cardboard box
- 210 = 15 units in cardboard box
- 211 = 20 units in cardboard box
- 233 = 200 units in a cardboard box
- 517 = 50 units in PE in a cardboard box
- 533 = 200 units in PE in a cardboard box

ORDER INFORMATION

1		Dynamooov full extension slide		Soft-close		Set: One left, one right			
NL	30 kg								
	Art.-no.	PU							
250	F130107760	204							
270	F130107761	204	211						
300	F130107764	204	211						
320	F130107767	204							
350	F130107768	204	211						
380	F130107771	204							
400	F130107772	204	211						
420	F130107775	204							
450	F130107776	204	210						
480	F130107779	204							
500	F130107780	204	210						
520	F130107783	204							
550	F130107784	204	210						
600	F130107787	204	208						

2		Front locking device (1D)		Set: One left, one right			
	Art.-no.	PU					
	F134101220	517	233				

Optional: Depth adjustment (1D)		Set: One left, one right			
	Art.-no.	PU			
	F134101313	533			



PAGE REFERENCES

Pull-out shelf	56	Assembly aids	60		
Technical information	58	Packaging code	75		

PLANNING DIMENSIONS

All dimensions in millimetres

Installation dimensions

$LWS = (LWK - 42) \begin{smallmatrix} +0 \\ -1.5 \end{smallmatrix}$
 max. 16 min. LWS = 145
 min. Z
 min. 37
 10
 21
 LWK
 max. 13
 min. 10

Drawer

$SKL = NL - 10 \pm 0.5$
 min. 12
 37
 $MET = NL + 3$

Inset drawer

$SKL = NL - 10 \pm 0.5$
 37
 min. 12
 16
 $MET = NL + 21$

NL	SKL	MET
250	240	253
270	260	273
300	290	303
320	310	323
350	340	353
380	370	383
400	390	403
420	410	423
450	440	453
480	470	483
500	490	503
520	510	523
550	540	553
600	590	603

Locking device fixing position

min. 35
 $HV + 3.5 \text{ mm}$
 72.5
 7.5
 19 23
 55 min.

Back panel hole

Z
 $\text{Ø } 6 \times 10$
 min. 35

Fixing positions for full extension drawer

30 kg
 KV
 18
 9 23 9
 10
 12
 28
 37
 250 - 320
 350 - 450
 480 - 520
 550
 600
 384 352 288 256 224 192 160 128 32 0
 $MET = NL + 3$

Euro screw $\text{Ø } 6.3 \times 14 \text{ mm}$

Chipboard screw $\text{Ø } 4 \times 16 \text{ mm}$

Screw head $\text{Ø } 7 \text{ mm}$

LEGEND

HV	Height adjustment	MET	Minimum installation depth
KV	Front edge of cabinet	NL	Nominal length
LWK	Inside cabinet width	SKL	Length of drawer
LWS	Internal drawer width		