

DYNAMOOV TIPMATIC

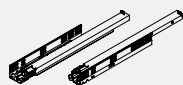
Full extension slide 30 kg



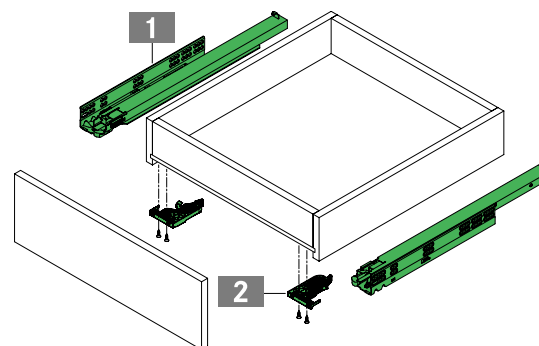
- Full extension slide Tipmatic for handle-free fronts
- Tipmatic opening unit integrated into the slide
- Excellent running characteristics
- Fully synchronised slide technology
- Integrated height adjustment, tool-free + 3.5 mm
- Integrated front gap adjustment + 1.5 mm
- No damage to the Tipmatic unit when the drawer is pulled open in the conventional way
- Optimal opening by pressing in the central third of the front panel

ORDER INFORMATION

1					
Dynamoov full extension slide Tipmatic					
Set: one left, one right					
NL	30 kg				
	Art. No.				
270	F130101114				
300	F130101115				
350	F130101117				
400	F130101119				
450	F130101121				
500	F130101123				
550	F130101125				



2					
Front locking device (1D)					
Set: one left, one right					
Art. No.					
F134140216					

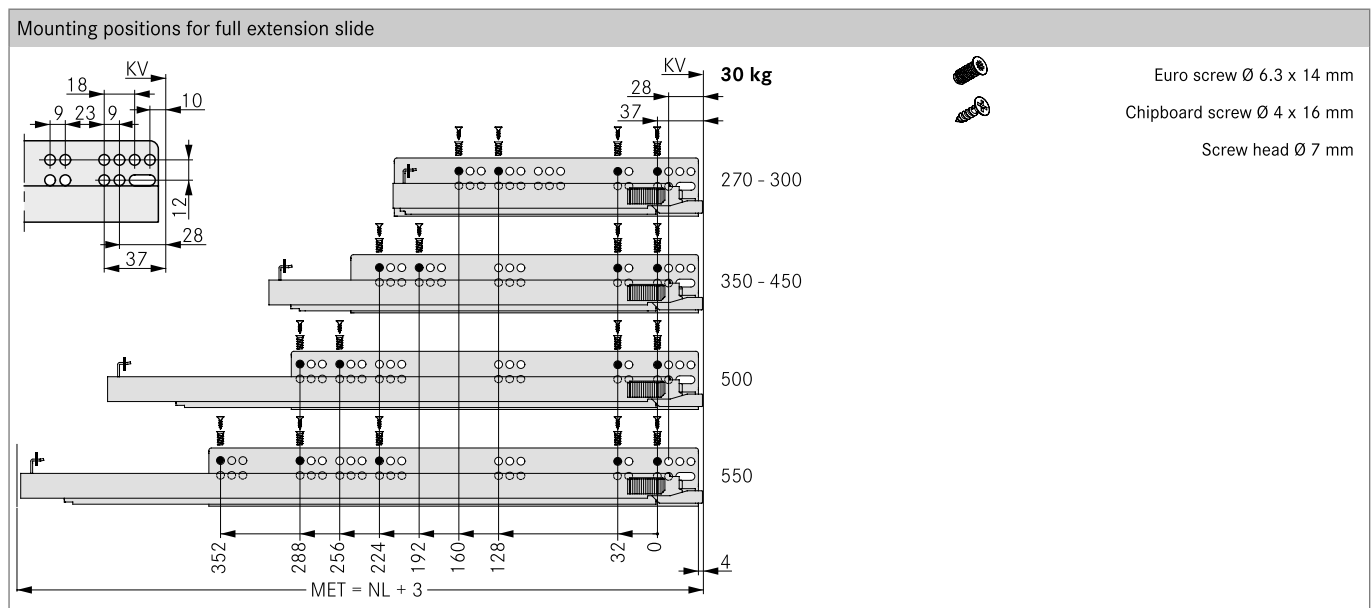
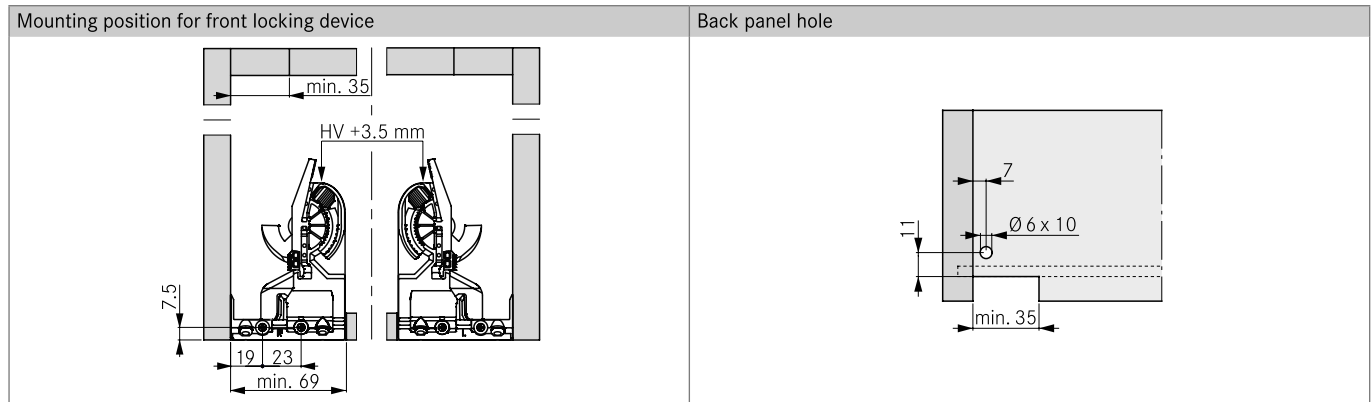
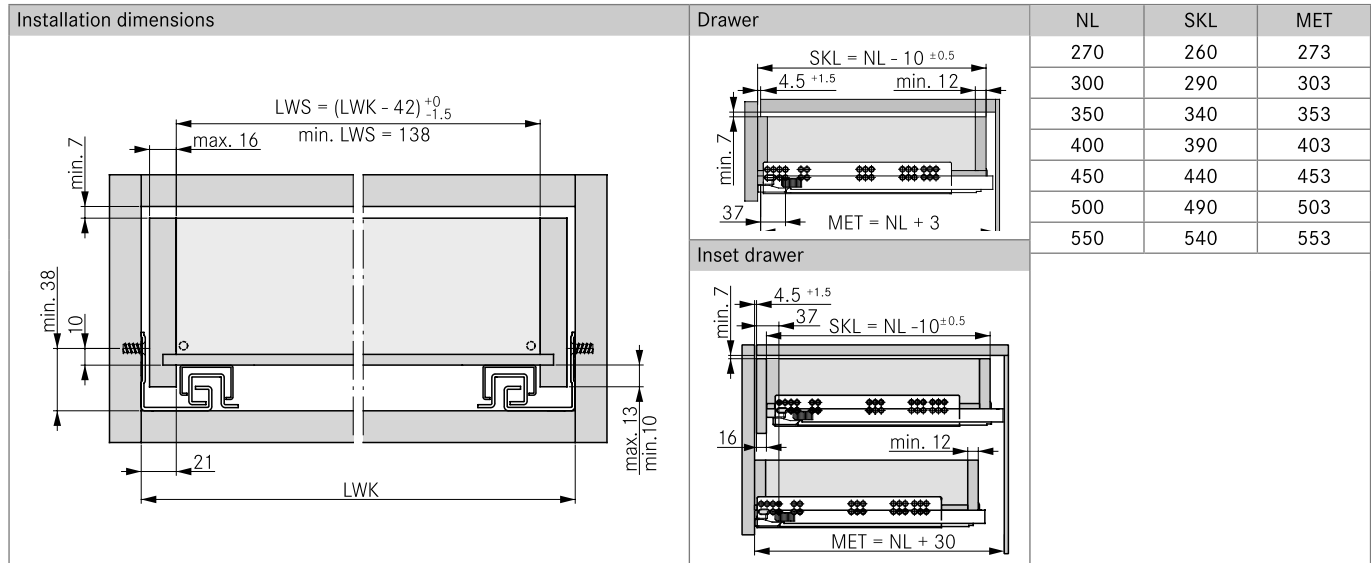


PAGE REFERENCES

Technical information	562		
Assembly aids	668		

PLANNING DIMENSIONS

All dimensions in millimetres



LEGEND

HV	Height adjustment	MET	Minimum installation depth
KV	Cabinet front edge	NL	Nominal length
LWK	Inside cabinet width	SKL	Drawer length

