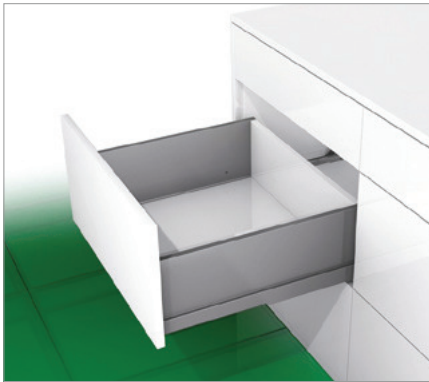


NOVA PRO SCALA

High drawer H186



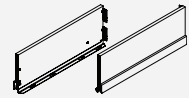
- Slim, closed drawer side
- High stability up to a front height of 780 mm
- Can be personalised with designer panels
- Integrated height, side and tilt angle adjustment
- Optimum use of space due to straight inside surfaces and low construction width
- Tool-free installation and removal of the front
- Width of bottom and back panel is the same
- Bottom panel machining not required

Packaging unit (PU):

- 123 = 100 items in PE
- 201 = 1 item in cardboard box (smallest PU = 10 units)
- 211 = 20 items in a cardboard box
- 247 = 1000 items in a cardboard box
- 250 = 1500 items in a cardboard box
- 547 = 1000 items in PE in a cardboard box

ORDER INFORMATION

1 Nova Pro Scala drawer sides H186 Set: One left, one right



NL	Stone				Ice				Silver			
	Item No.	PU	Item No.	PU	Item No.	PU	Item No.	PU				
270	F100103300	201 211	F100103327	201 211	F100103354	201 211						
300	F100103303	201 211	F100103330	201 211	F100103357	201 211						
350	F100103306	201 211	F100103333	201 211	F100103360	201 211						
400	F100103309	201 211	F100103336	201 211	F100103363	201 211						
450	F100103312	201 211	F100103339	201 211	F100103366	201 211						
500	F100103315	201 211	F100103342	201 211	F100103369	201 211						
550	F100103318	201 211	F100103345	201 211	F100103372	201 211						
600	F100103321	201 211	F100103348	201 211	F100103375	201 211						
650	F100103324	201 211	F100103351	201 211	F100103378	201 211						

2 Installation hook Single item: Can be used on left/right

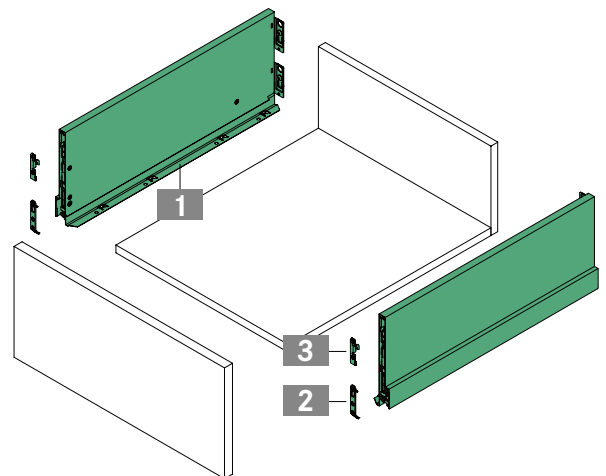


	Description	Item No.	PU
32 mm	Expansion dowel	F102117719	123 547
50 mm	Expansion dowel	F102117720	123 547
32 mm	For press fitting	F102021854	123 250
50 mm	For press fitting	F102021153	123 250
	For screw fixing	F102021855	123 547

3 Front clip Single item: Can be used on left/right



	Description	Item No.	PU
32 mm	Expansion dowel	F102104835	123 247
32 mm	For press fitting	F102104834	123 247
32 mm	For screw fixing	F102104833	123 247

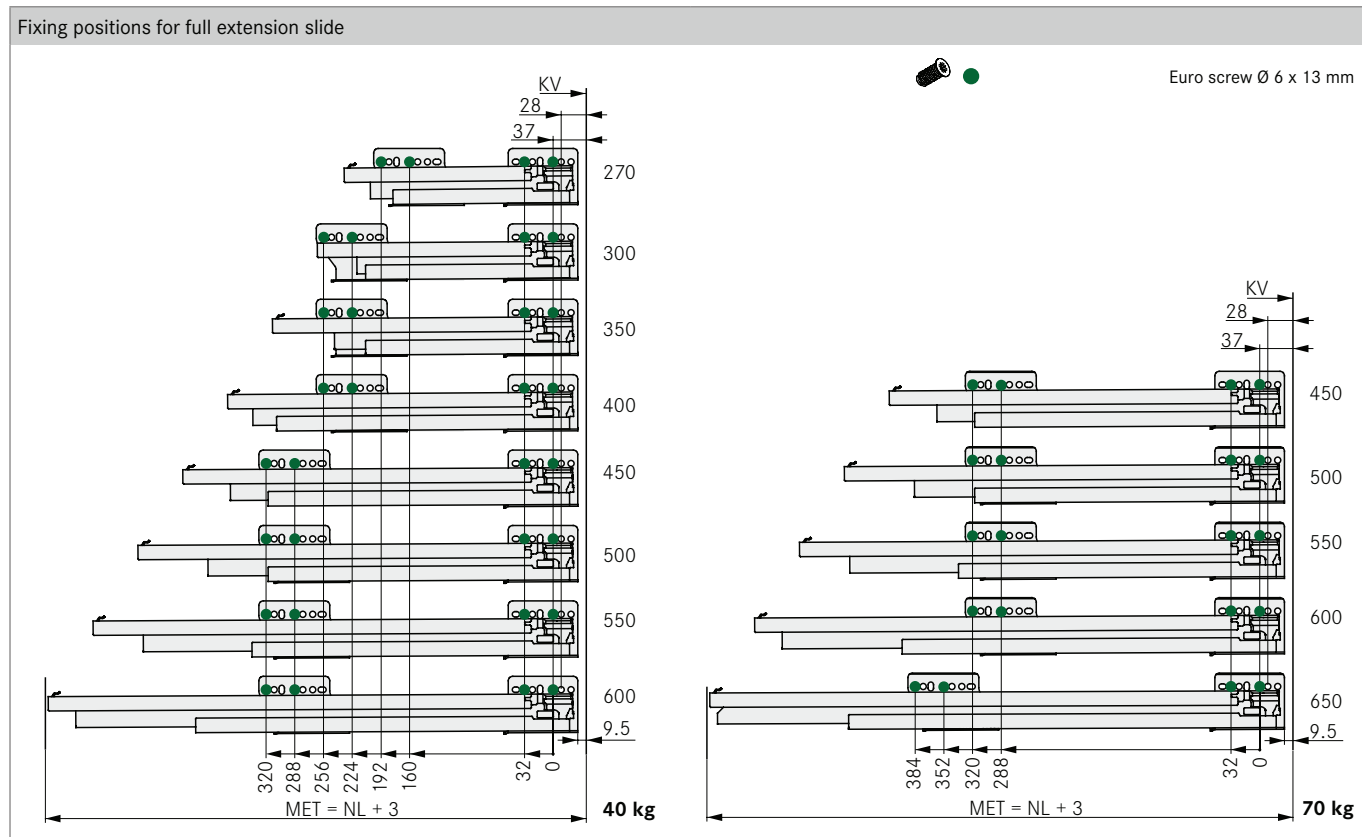
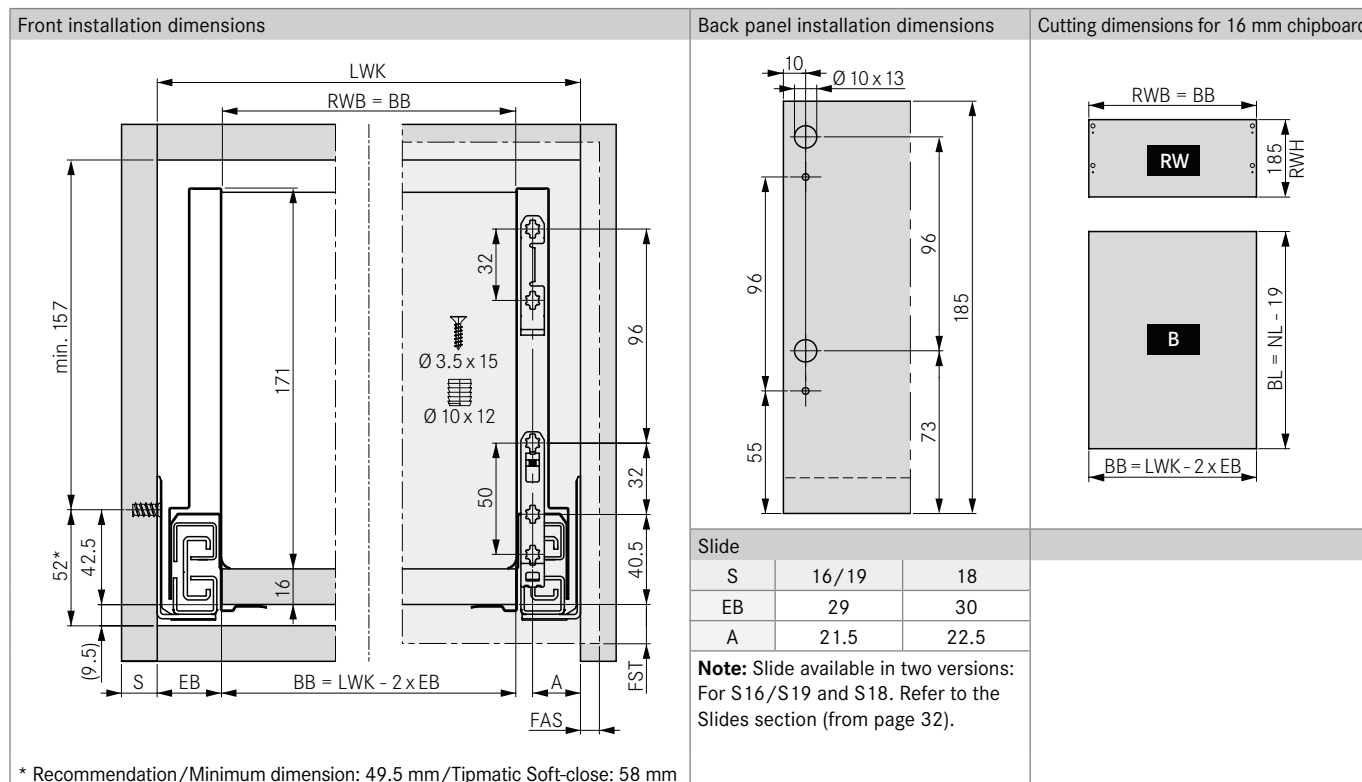


PAGE REFERENCES

Slides	32	Designer panels	60	Sensomatic	75
Inset panels	44	Accessories	62	Organising systems	97
Steel back panels	58	Technical information	68	Assembly technology	122

PLANNING DIMENSIONS

All dimensions in millimetres



LEGEND

B	Bottom panel	FST	Front overlay	NL	Nominal length
BB / BL	Bottom width / Bottom length	KV	Front edge of cabinet	RW	Back panel
EB	Construction width	LWK	Inside cabinet width	RWB	Width of back panel
FAS	Front overlay, side	MET	Minimum installation depth	RWH	Height of back panel