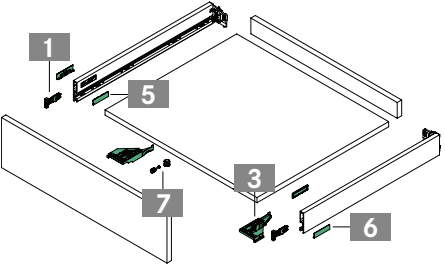
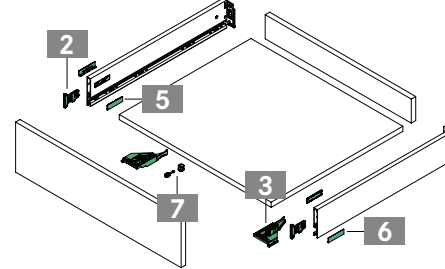


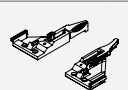





VIONARO

Accessories – individual components

Drawer H63	Drawer H89/H121
	
<p>The following is required:</p> <ul style="list-style-type: none"> 2 x 1 1 x 3 2 x 5 <p>Optional:</p> <ul style="list-style-type: none"> 2 x 6 1 x 7 	<p>The following is required:</p> <ul style="list-style-type: none"> 2 x 2 1 x 3 2 x 5 <p>Optional:</p> <ul style="list-style-type: none"> 2 x 6 1 x 7

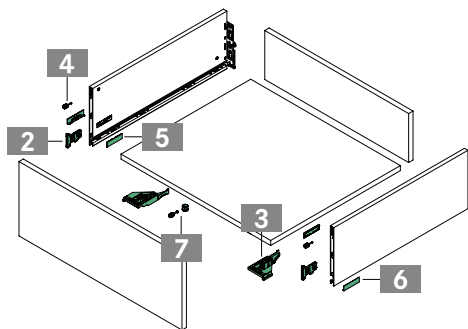
ORDER INFORMATION

1	Front holder H63 Single item: Can be used on left/right		2	Front holder H89/H121/H185/H249 Single item: Can be used on left/right		
Description	Art.-no.	PU	Description	Art.-no.	PU	
For screw fixing	F136118050	239	For screw fixing	F136116276	239	
For press fitting	F136118051	239	For press fitting	F136116271	239	
			Expansion dowel Ø 8 mm	F136118019	239	
3	Front locking device Set: One left, one right		4	Front stabiliser H185/H249 Single item: Can be used on left/right		
Description	Art.-no.	PU	Description	Art.-no.	PU	
	F136107621	233	For screw fixing	F136135000	239	
			For press fitting Ø 8 mm	F136118030	239	
			For press fitting Ø 10 mm	F136118012	239	
5	Cover cap for drawer side Single item: Can be used on left/right					
Description	Silver grey		Graphite		Snow white	
	Art.-no.	PU	Art.-no.	PU	Art.-no.	PU
With GRASS logo	F136118066	239	F136118068	239	F136118070	239
Without logo	F136118065	239	F136118067	239	F136118069	239
6	Branding clip (optional) Single item: Can be used on left/right					
Description	Silver grey		Graphite		Snow white	
	Art.-no.	PU	Art.-no.	PU	Art.-no.	PU
With GRASS logo (Customer logo on request)	F136118058	239	F136118059	239	F136118060	239

PAGE REFERENCES

Drawer sides	11	Technical information	42	Assembly technology	80
Slides	26	Sensomatic	51	Assembly aids	84
Steel back panels	40	Organising systems	69	Packaging code	91

Pot drawer H185/H249



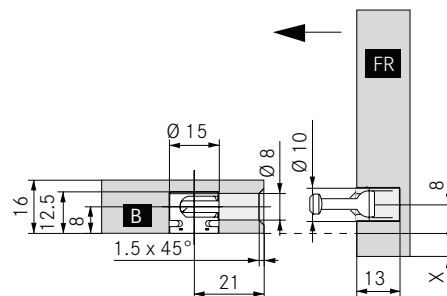
**The following
is required:**

- 2 x **2**
- 1 x **3**
- 2 x **4**
- 2 x **5**

Optional:

- 2 x **6**
- 1 x **7**

Front-bottom connector (optional)



7 **Front-bottom connector for
wooden fronts (optional)**
Single item



Description	Art.-no.	PU	Description	Art.-no.	PU
Recommended from KB 600 mm	F148026744	107 223			

LEGEND

B	Bottom panel
FR	Front
KB	Cabinet width